

X₁ = For model with 1 bowl
 X₂ = For model with 2 bowl
 X₃ = For model with 3 bowl
 X₄ = For model with 4 bowl

COFRIMELL

PRICE LIST 2006

PLSP-2006-Rev. 02

Page 9 of 11

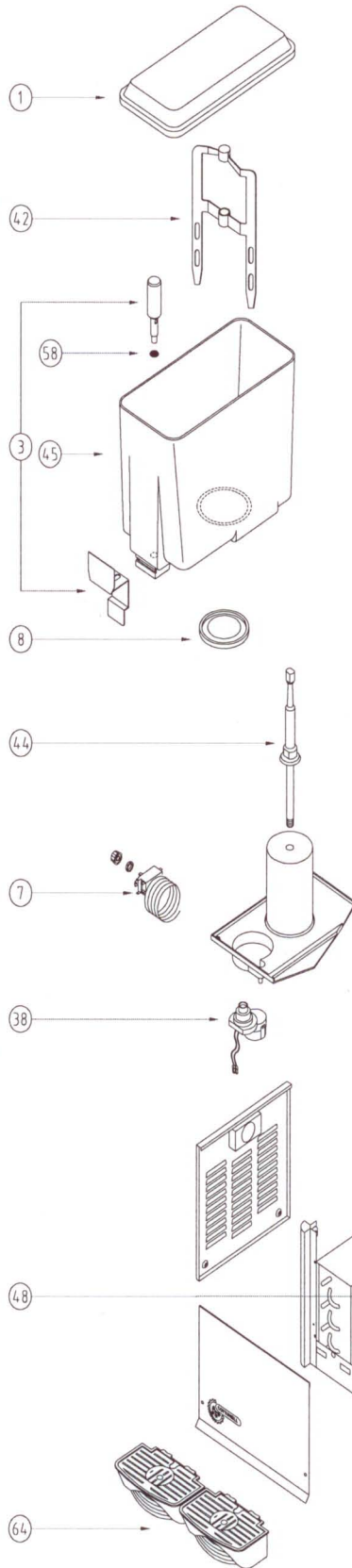
JetCof "M"

PADDLES SYSTEM

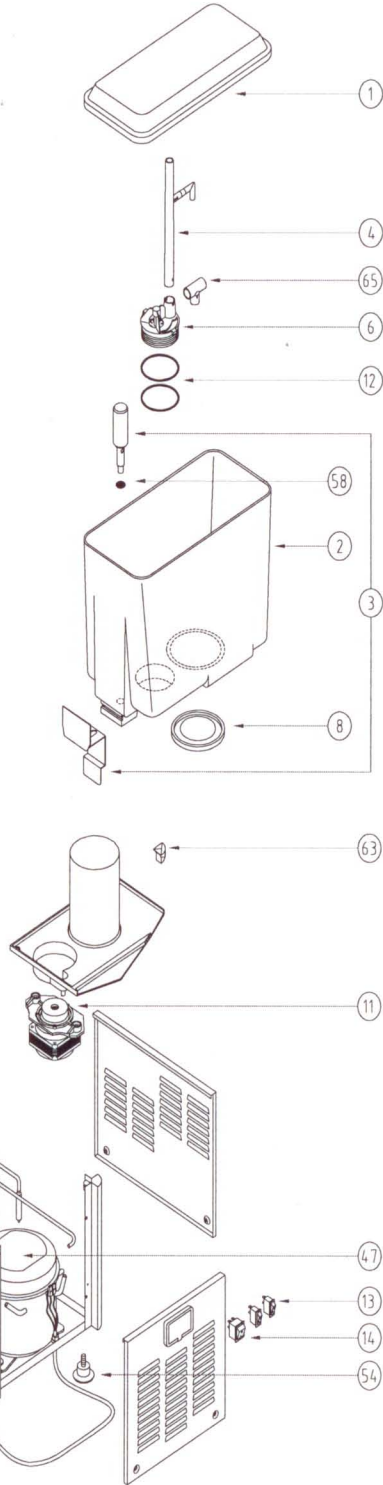
JetCof "S"

PUMP SYSTEM

PADDLES SYSTEM



PUMP SYSTEM



SPARE PARTS JETCOF LINE

N° Disegno 0305-3



Cofrimell s.a.s.
 Via delle Monachette, 66/B
 00044 Pomezia - ITALY

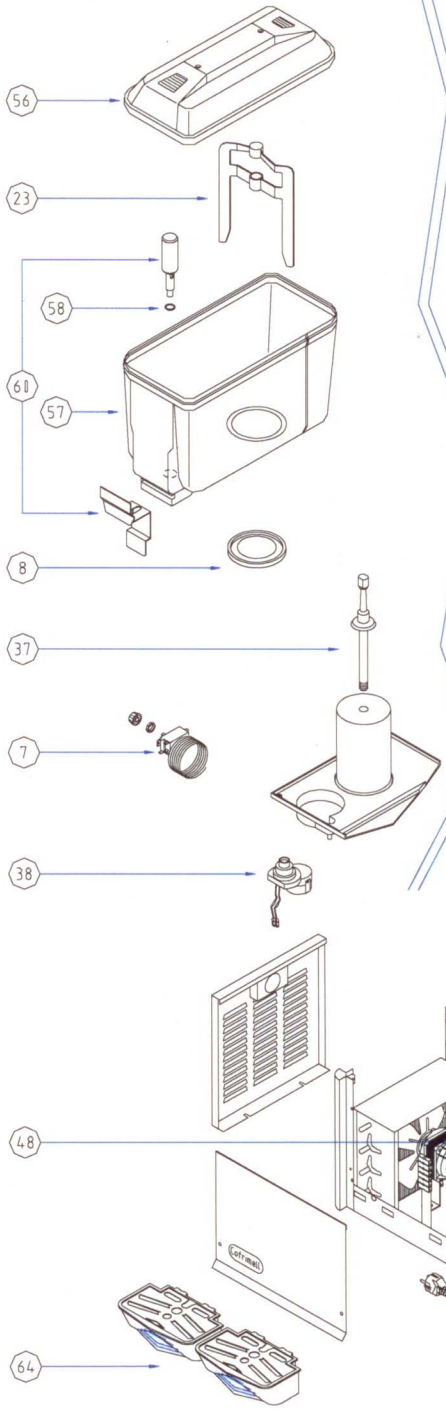
X₁ = For model with 1 bowl
 X₂ = For model with 2 bowl
 X₃ = For model with 3 bowl

COFRIMELL **PRICE LIST 2005**

PLSP-2005-Rev. 01
 Page 8 of 10

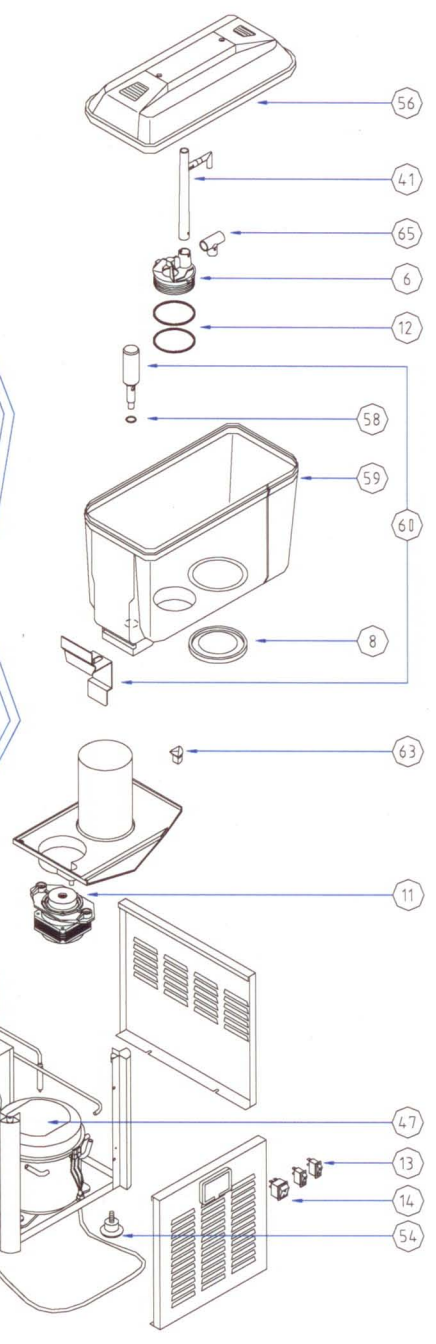
Coldream "M "

PADDLES SYSTEM



Coldream "S "

PUMP SYSTEM



SPARE PARTS COLDREAM LINE  Cofrimell s.a.s.
 N° Disegno 0302-2 Via delle Monache, 66/B
 11144 Pomezia - ITALY

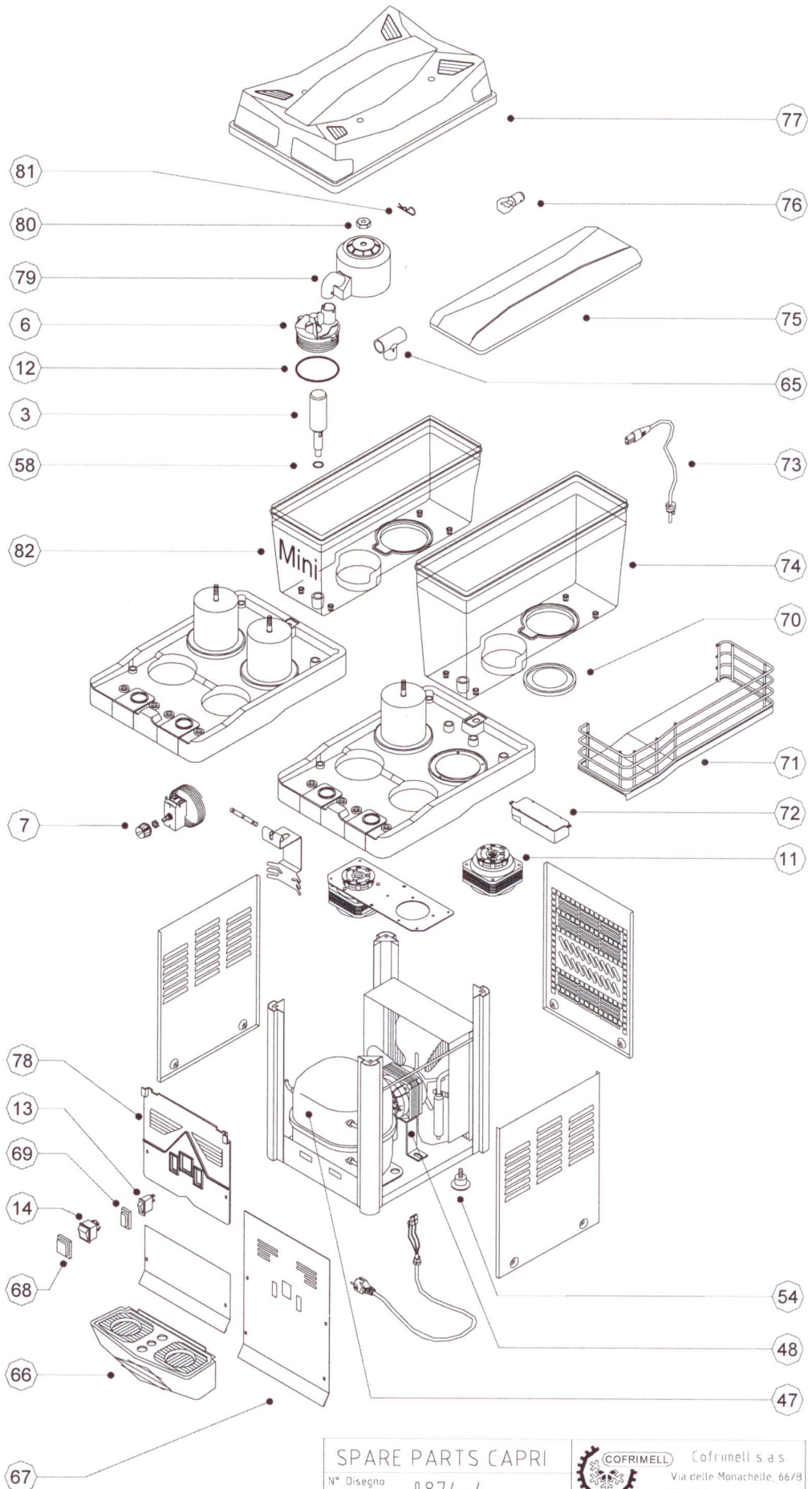
Capri & Mini-Capri

X¹ = For model with 1 bowl
 X² = For model with 2 bowl
 X³ = For model with 3 bowl
 X⁴ = For model with 4 bowl

COFRIMELL

PRICE LIST 2006

PLSP-2006-Rev. 02
 Page 6 of 11



SPARE PARTS CAPRI
 N° Disegno 0874-4

COFRIMELL Cofrinell s.a.s.
 Via delle Monache, 66/B
 00148 Pomezia - ITALY

X¹ = For model with 1 bowl
 X² = For model with 2 bowl
 X³ = For model with 3 bowl
 X⁴ = For model with 4 bowl

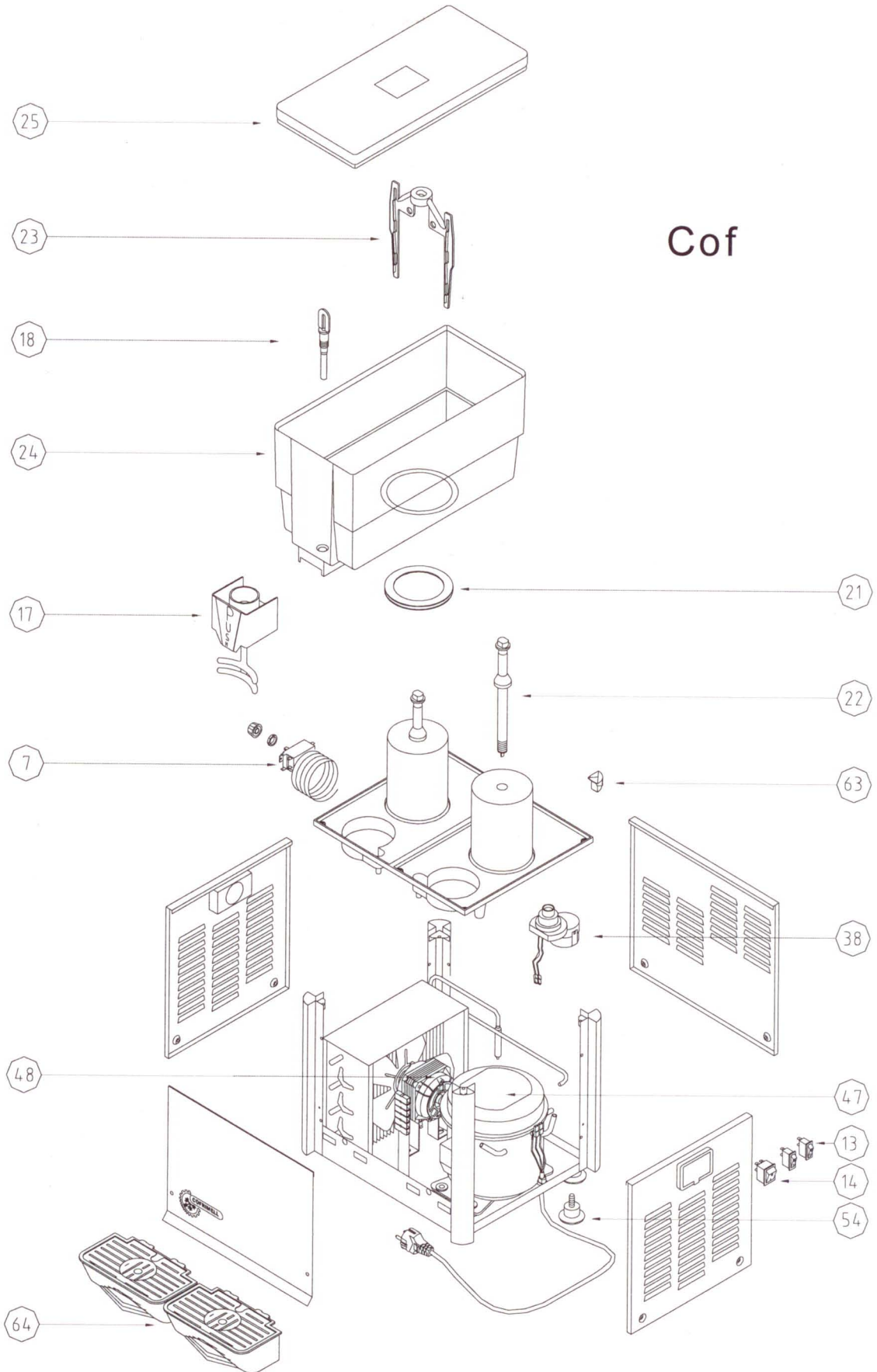
COFRIMELL

PRICE LIST 2006

PLSP-2006-Rev. 02

Page 7 of 11

Cof



SPARE PARTS COF LINE

N° Disegno 0303-3



Cofrimell s.a.s.

Via delle Monachelle, 66/B
 00040 Pomezia - ITALY

X₁ = For model with 1 bowl
 X₂ = For model with 2 bowl
 X₃ = For model with 3 bowl
 X₄ = For model with 4 bowl

COFRIMELL

PRICE LIST 2006

PLSP-2006-Rev. 02

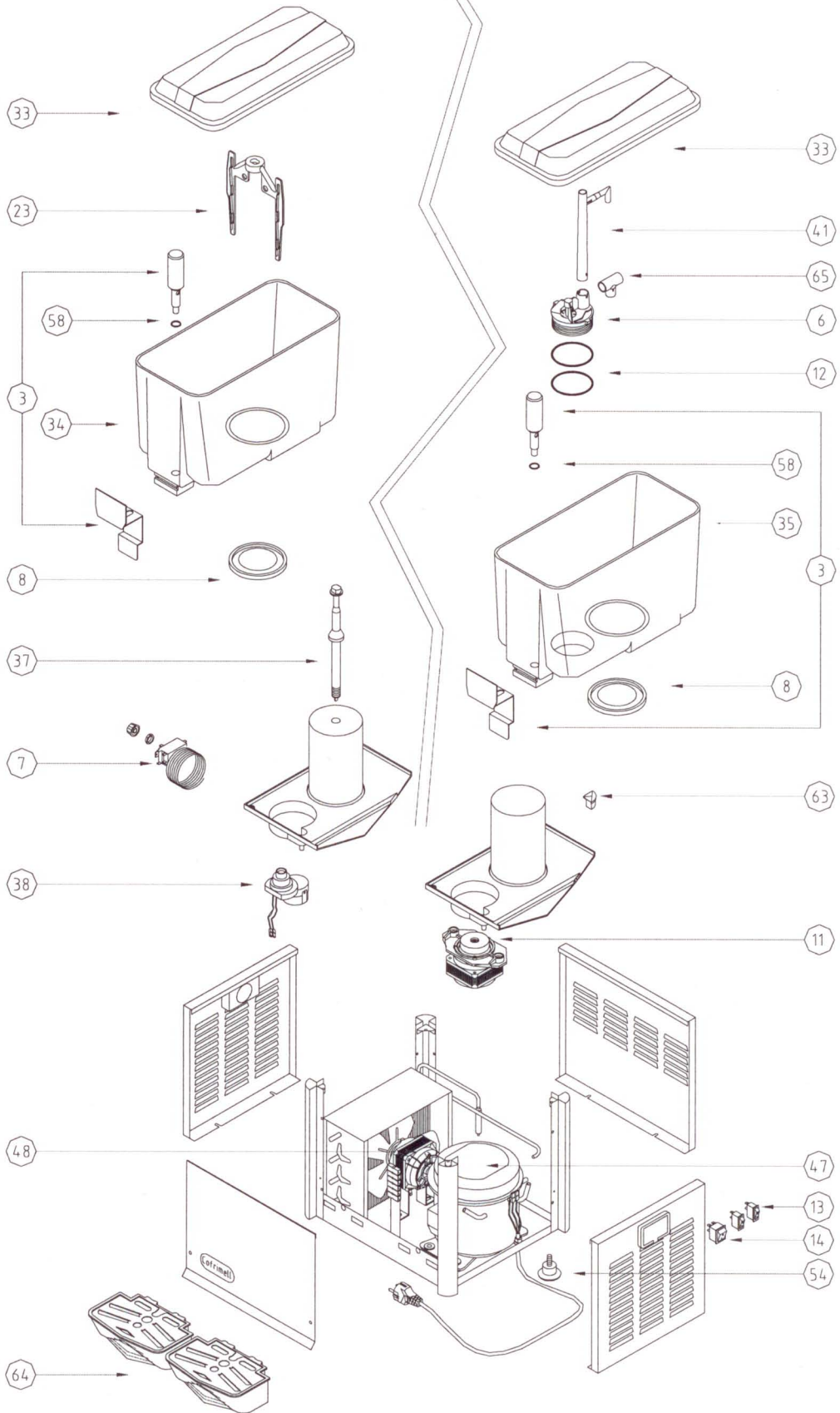
Page 8 of 11

New Cof "M"

PADDLES SYSTEM

New Cof "S"

PUMP SYSTEM



SPARE PARTS NEWCOF LINE

N° Disegno 0304-2



Cofrimell s.a.s
 Via delle Monache, 66/B
 11041 Pomezia - ITALY

X¹ = For model with 1 bowl
 X² = For model with 2 bowl
 X³ = For model with 3 bowl
 X⁴ = For model with 4 bowl

COFRIMELL

PRICE LIST 2006

PLSP-2006-Rev. 02
 Page 10 of 11

Mega 25 lt "M"

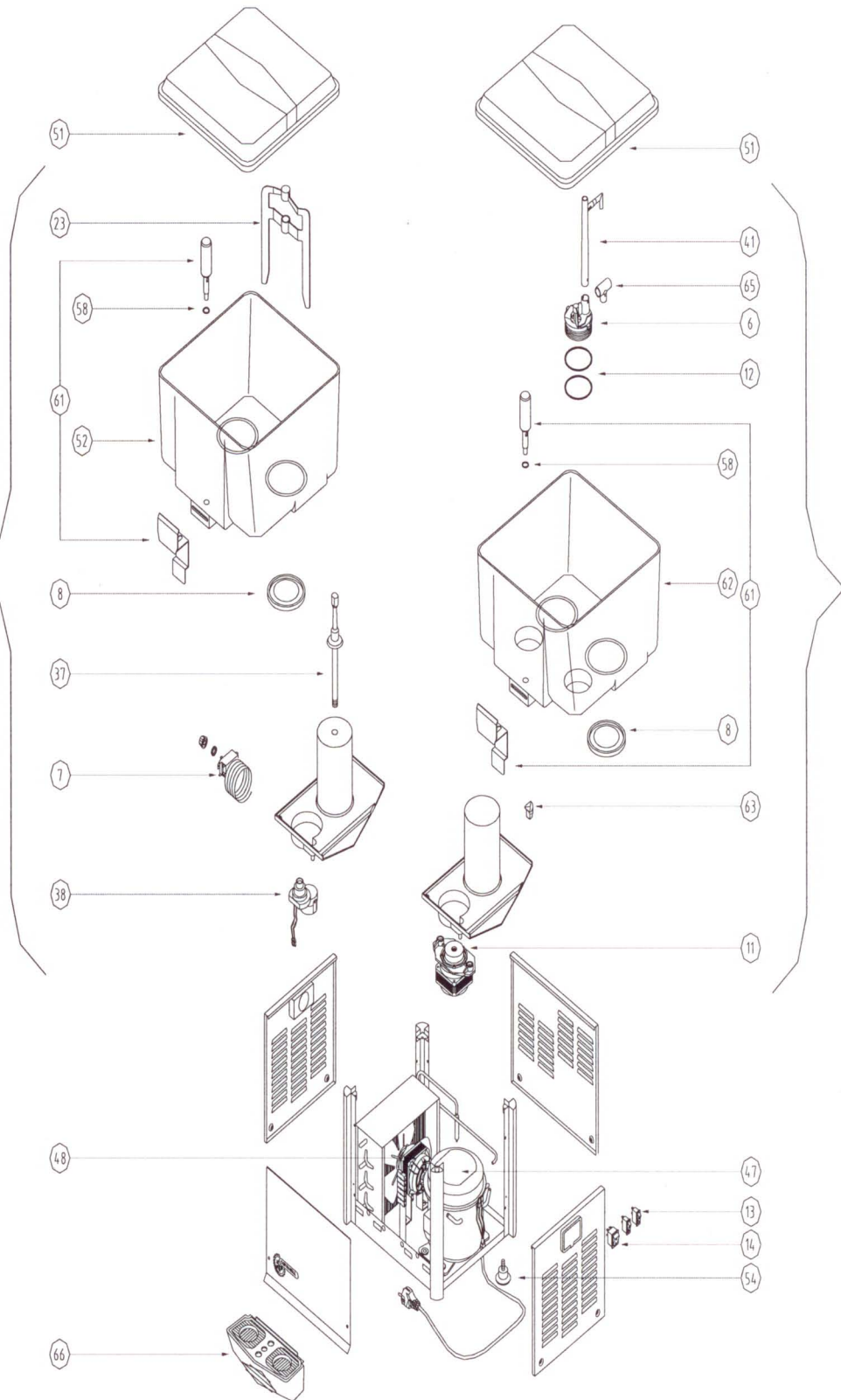
PADDLES SYSTEM

Mega 25 lt "S"

PUMP SYSTEM

P A D D L E S S Y S T E M

P U M P S Y S T E M



X₁ = For model with 1 bowl
 X₂ = For model with 2 bowl
 X₃ = For model with 3 bowl
 X₄ = For model with 4 bowl

COFRIMELL

PRICE LIST 2006

PLSP-2006-Rev. 02

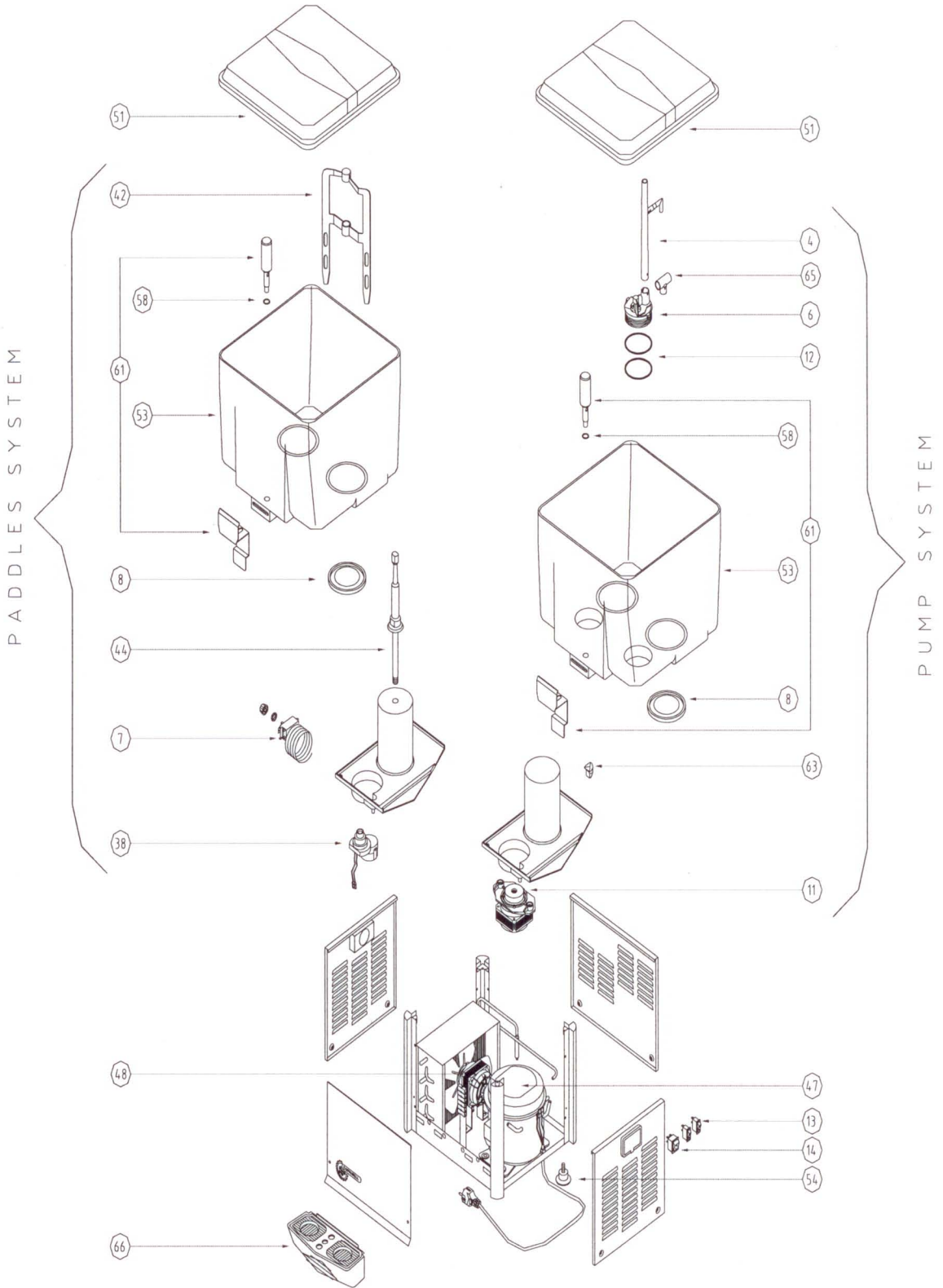
Page 11 of 11

Mega 40 lt "M"

PADDLES SYSTEM

Mega 40 lt "S"

PUMP SYSTEM



SPARE PARTS MEGA 40 lt LINE

N° Disegno 0307-3



Cofrimell s.a.s.
 Via delle Monache, 66/R
 88144 Pomezia - ITALY

2010 Cofrimell Parts Price List

Pos.	Cod.	SPARE PARTS	CAPRI-MINI	COF	NEWCOF	JETCOF	COLDREAM	MEGA 25	MEGA 40	Retail
1	169	Lid Jetcof				x				\$59.52
2	162	Bowl Jetcof S				x				\$163.20
3	215	Stainless steel tap new/jet			x	x				\$79.68
4	192	Pump tubes 20lt.				x			x	\$23.04
6	496	Pump body	x		x		x	x		\$80.00
6	497	Pump body				x			x	\$80.00
7	64,02	Thermostat (Evap.)				x234			x	\$32.64
7	64,01	Thermostat (Liquid 1127)	x	x	x	x1	x	x		\$32.64
8	151	Bowl gasket			x	x	x	x	x	\$11.52
11	317	Pump motor 110V	x		x	x	x	x	x	\$115.00
11	318	Pump motor 220V	x		x	x	x	x	x	\$115.00
12	154	Or for pump	x		x	x	x	x	x	\$7.10
13	56	Black switch	x	x	x	x	x	x	x	\$9.00
14	57	Red switch	x	x	x	x	x	x	x	\$13.00
17	177	Plastic tap		x						\$34.56
18	231	Tap valve		x						\$16.32
21	166	Bowl gasket red		x						\$9.60
22	175	Mixer guiding shaft cof		x						\$48.00
23	489	Mixer paddle newcof			x					\$23.04
23	176	Mixer paddle cof		x						\$23.04
23	179	Mixer paddle coldream					x			\$23.04
24	155	Bowl Cof		x						\$105.60
25	156	Lid Cof		x						\$50.88
33	168	Lid Newcof			x					\$59.52
34	159	Bowl Newcof M			x					\$163.20
35	160	Bowl Newcof S			x					\$163.20
37	183	Mixer guiding shaft coldr.					x			\$59.52
37	490	Mixer guiding shaft New/m25			x			x		\$48.00
38	296	Gearbox Cr 110V		x	x	x	x	x	x	\$90.00
38	295	Gearbox Cr 220V		x	x	x	x	x	x	\$90.00
38	295,01	Gearbox Fib 220V		x	x	x	x			\$90.00
41	174	Pump tubes 12lt.			x		x	x		\$23.04
42	180	Mixer paddle jetcof				x				\$34.56
44	441	Mixer guiding shaft Jet/m40				x			x	\$69.12
45	161	Bowl Jetcof M				x				\$163.20
46	149	Drip tray		x	x	x	x			\$28.74
47	79	Compressor 20lt.220V	x1	x1	x1	x1	x1			\$220.80
47	397	Compressor 20lt.110V	x1	x1	x1	x1	x1			\$220.80
47	85	Compressor 24lt.220V	x2	x2	x2		x2	x1		\$259.20
47	86	Compressor 24lt.110V	x2	x2	x2		x2	x1		\$259.20
47	67	Compressor 36/40lt.220V	x34	x3	x3	x24	x3		x12	\$298.56
47	81	Compressor 36/40lt.110V	x34	x3	x3	x24	x3		x12	\$298.56
47	82	Compressor 60lt. 220V/50		x4	x4	x3	x4	x2		\$336.00
47	83	Compressor 60lt. 220V/60		x4	x4	x3	x4	x2		\$336.00
47	84	Compressor 60lt. 110V		x4	x4	x3	x4	x2		\$336.00
48	404	Fan motor Comp. 110V	x1	x1	x1	x1	x1			\$115.00
48	405	Fan motor Comp. 220V	x1	x1	x1	x1	x1			\$115.00
48	70	Fan motor 5W 110V		x2	x2		x2			\$115.00
48	69	Fan motor 5W 220V		x2	x2		x2			\$115.00
48	72	Fan motor 10W 110V (h56)		x3	x3	x2	x3	x		\$115.00
48	72,01	Fan motor 10W 110V (84)	x234							\$115.00
48	71	Fan motor 10W 220V (h56)		x3	x3	x2	X3	x		\$115.00
48	71,01	Fan motor 10W 220V (h84)	x234							\$115.00
48	74	Fan motor 16W 110V				x3			x	\$115.00
48	73	Fan motor 16W 220V				x3			x	\$115.00

2010 Cofrimell Parts Price List

Pos.	Cod.	SPARE PARTS	CAPRI-MINI	COF	NEWCOF	JETCOF	COLDREAM	MEGA 25	MEGA 40	Retail
51	170	Lid Mega 25, 40						x	x	\$69.12
52	163	Bowl Mega 25 M						x		\$172.80
53	165	Bowl Mega 40							x	\$199.68
54	150	Rubber leg		x	x	x	x	x	x	\$7.68
56	235	Lid Coldream (w) White					x			\$69.12
56	235,01	Lid Coldream (b) Blue					x			\$69.12
57	158	Bowl Coldream M					x			\$140.16
58	153	Or for stainless steel tap	x		x	x	x	x	x	\$5.28
59	157	Bowl Coldream S					x			\$140.16
60	152	Stainless steel tap Coldream/Inox					x			\$79.68
	640	Stainless steel tap Coldream/Plast.					x			\$72.96
61	488	Stainless steel tap mega						x	x	\$79.68
62	164	Bowl Mega 25 S						x		\$174.72
63	234	Corner plug		x	x	x	x	x	x	\$1.15
63	234,01	Corner plug New		x	x	x	x	x	x	\$1.15
64	620	New Drip Tray		x		x	x	x	x	\$38.40
65	626	Pump Tube T	x			x	x	x	x	\$16.32
66	667,00	Drip Tray (b) Blue	x					x	x	\$40.32
66	667,01	Drip Tray (y) Yellow	x							\$40.32
67	691,01	S/S Front Panel Capri	x							\$24.96
68	699	Red Switch Cover	x							\$4.80
69	698	Black Switch Cover	x							\$4.80
70	642	Bowl Gasket Capri	x							\$10.56
71	724	Glasse Tray Complete Capri	x							\$30.72
72	670	Light Transformer 230V	x							\$27.84
72	669	Light Transformer 115V	x							\$46.08
73	641	Light Cable Capri	x							\$8.64
74	644	Bowl Capri (k)	x							\$72.96
74	644,01	Bowl Capri (pc)	x							\$92.16
75	645	Single Lid Capri (k)	x							\$44.16
75	645,01	Single Lid Capri (pc)	x							\$57.60
76	638	Light 12V Capri	x							\$7.68
77	668	Double Lid Capri (b) Blue	x							\$76.80
77	668,01	Double Lid Capri (y) Yellow	x							\$76.80
78	655	Front Panel Capri (b) Blue	x							\$24.00
78	655,01	Front Panel Capri (y) Yellow	x							\$24.00
79	663	Evaporator Cover Capri	x							\$44.16
80	657	S/S Nut M8	x							\$5.76
81	495,01	Metal Spring	x			x	x			\$1.92
82	723	Bowl Mini Capri (k)	x							\$57.60
82	723,01	Bowl Mini Capri (pc)	x							\$72.96
-	298	Lid Minicof			x					\$38.40
-	509	Red push level coldream					x			\$14.40
-	188	S/S Push Level					x			\$34.56
	226	S/S Piston complete	x		x	x	x	x	x	\$46.08
-	252	Silicon tube (mt)		x						\$11.52
-	297	Bowl Minicof								\$109.44
Pos.	Cod.	SPARE PARTS		WHIPPER	LIGHT					
-	472	Whipper motor		x						\$48.00
-	476	White plastic funnel for wh.		x						\$1.92
-	473	Whipping paddles		x						\$1.92
-	471	Electronic board whipper		x						\$57.60
-	466	Transformer 220V		x	x					\$34.56